

# EFL803-HV/EFL1003-HV

## High Capacity Electric Counterbalanced Forklift 8-10T



Let's grow together



Manufacturer			EP	EP	EP
Model designation			EFL803-HV-6	EFL803-HV-9	EFL1003-HV-6
Drive			Electric	Electric	Electric
Load capacity	Q	kg	8000	8000	10000
Load center distance	c	mm	600	900	600
Service weight		kg	12325	13900	13900
Height, mast extended	h4	mm	4310	4310	4310
Length to face of forks	l2	mm	3955	3965	3960
Overall width	b1/b2	mm	2200	2200	2200
Fork dimensions	s/e/l	mm	75×160×1520	85×160×1820	80×160×1520
Turning radius	Wa	mm	3605	3605	3605
Travel speed, laden/unladen		km/ h	29/30	29/30	29/30
Lifting speed, laden/unladen		m/s	0.39/0.47	0.39/0.47	0.39/0.47
Lowering speed, laden/unladen		m/s	0.46/0.4	0.46/0.4	0.46/0.4
Max. gradeability, laden/unladen		%	22/30	22/30	22/30
Drive motor rating S2 60 min		kW	60	60	60
Battery voltage/nominal capacity		V/Ah	309V/304AH	309V/304AH	309V/304AH

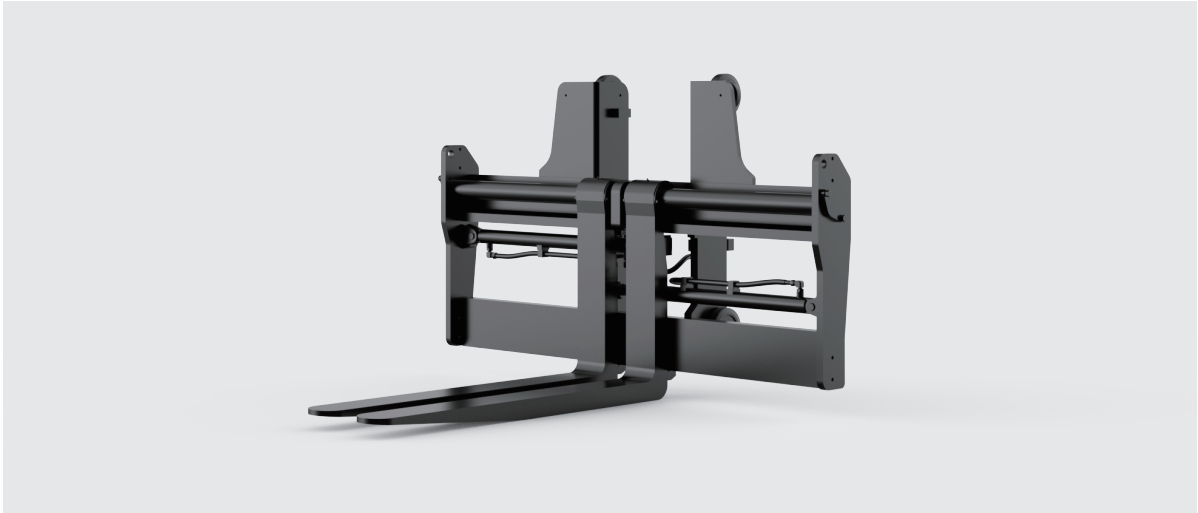
# Standard Configuration

- Fork positioner with pin type forks
- Fork length 1520 (600mm LC) / 1820mm (900mm LC)
- 2130mm fork carriage
- 309.12V304Ah LFP battery
- Battery heating function when charging
- Telematics
- Mechanical lever
- Suspension seat with OPS
- Pneumatic tyres (solid tyres for certain markets)
- Standard overhead guard
- Mast lifting and lowering buffer
- Fire extinguisher holder
- Reversing buzzer
- Backing grab bar with horn button
- Lighting package: LED front working light (with steering light, width light), LED tricolor taillights, LED rear working light, Strobe warning light

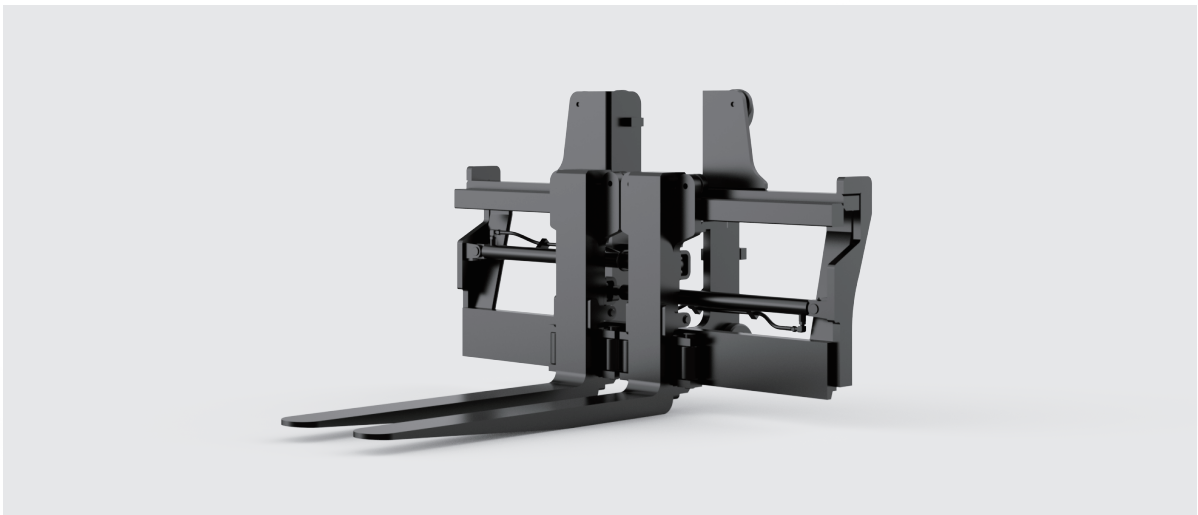
# Options

- Different fork length customization
- Customized fork carriage (width and type)
- Attachments:
  - Fork positioner with sideshift: Forks with terminal west
  - Fork positioner with sideshift: Roller guiden forks
- 309.12V228Ah LFP battery
- Chargers
  - 20kw (3 phase AC 370V-460V, 50-60HZ, 32A plug)
  - 40kw (3 phase AC 370V-460V, 50-60HZ, 63A plug)
- Fingertips
- Grammer MSG65 seat with OPS
- Solid tyres / non marking tyres
- Reverse voice horn (English)
- Back distance sensor
- Rear camera with LCD display
- Lights
  - 4 LED front working lights on mast
  - Rotating warning light / rotating buzzer warning light
  - Back blue spot
  - Front blue spot
  - Front fog light
- Cigarette lighter interface 12V
- USB interface 5V
- Deceleration at turns
- Overspeed alarm
- Cabin options:
  - Basic half-cabin: front windshield, front wiper (including sprinkler), roof
  - Upgrade half-cabin:basic half-cabin, rear windshield, rear wiper
  - Basic full cabin:upgrade half-cabin, left and right doors
  - Upgrade full cabin: basic full cabin, air conditioner, defogging device

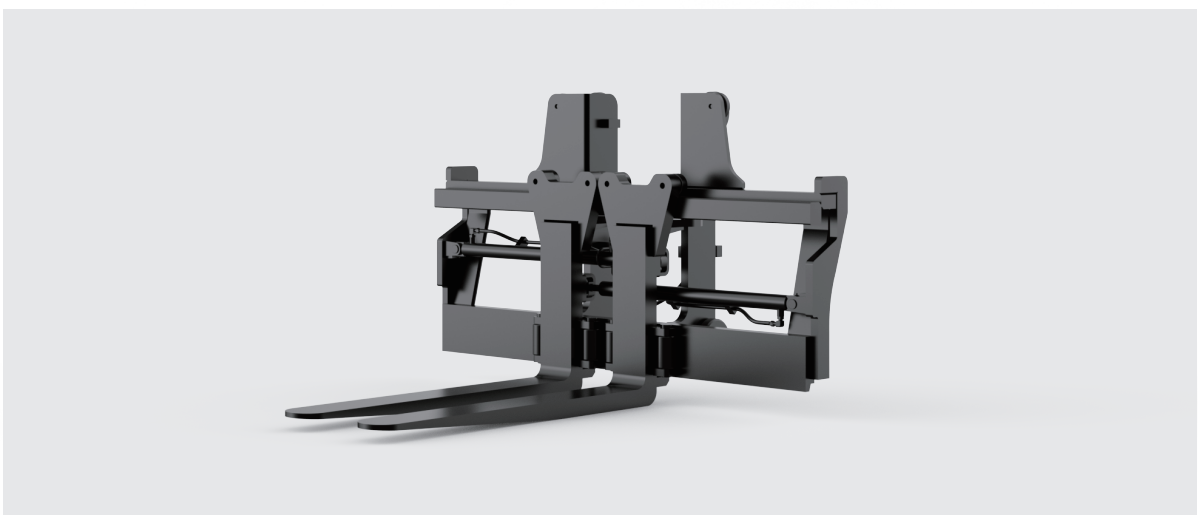
01 fork positioner with pin type forks



02 fork positioner with sideshift: forks with terminal west



03 fork positioner with sideshift: roller guided forks

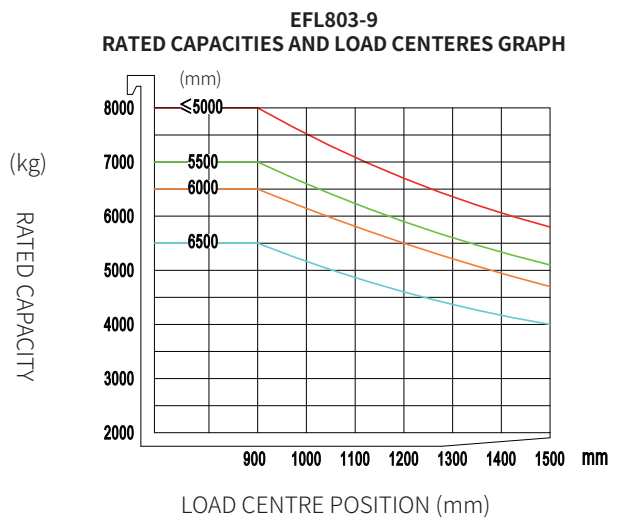
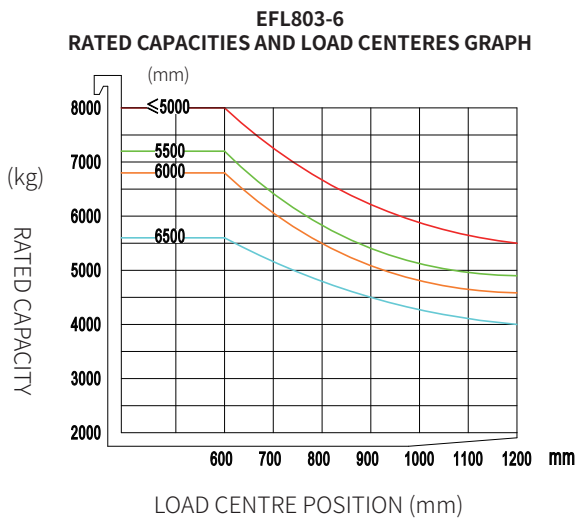
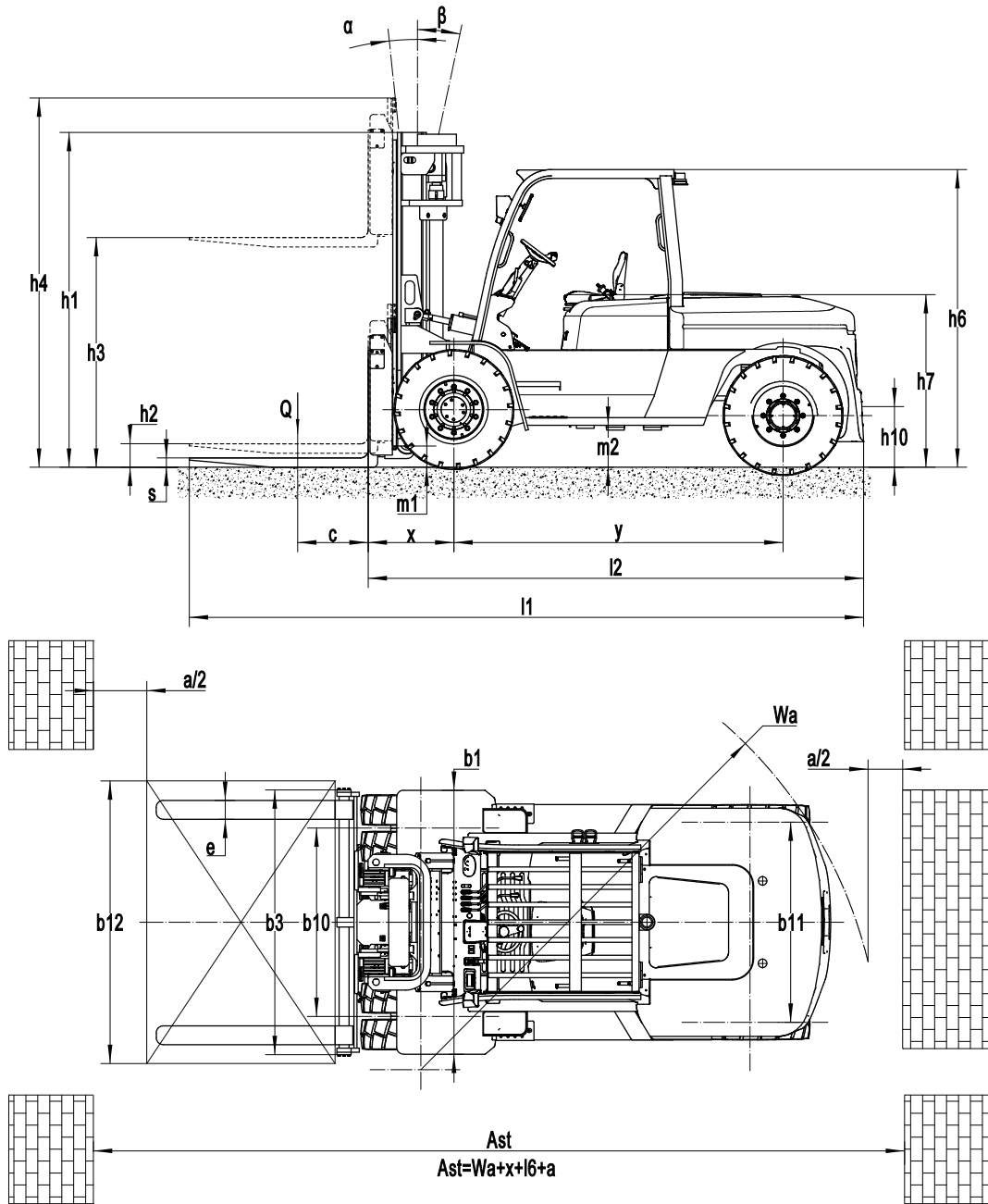


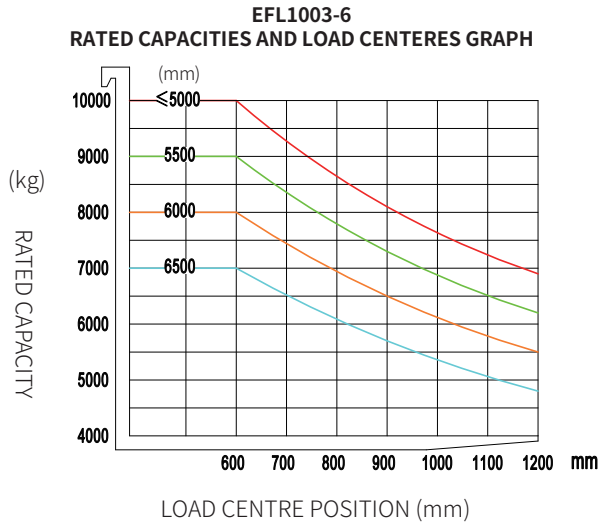
# High Capacity Electric Counterbalanced Forklift 8-10T

## EFL803-HV/EFL1003-HV

Distinguishing mark	1.1	Manufacturer			EP	EP	EP
	1.2	Model designation			EFL803-HV-6	EFL803-HV-9	EFL1003-HV-6
	1.3	Drive			Electric	Electric	Electric
	1.4	Operator type			Seated	Seated	Seated
	1.5	Load capacity	Q	kg	8000	8000	10000
	1.6	Load center distance	c	mm	600	900	600
	1.8	Load distance, centre of drive axle to fork	x	mm	708	718	713
	1.9	Wheelbase	y	mm	2500	2500	2500
	Service weight	2.1	Service weight		kg	12325	13900
2.2		Axle loading, laden front/rear		kg	18290/2035	19250/2650	21340/2560
2.3		Axle loading, unladen front/rear		kg	6105/6220	6090/7810	6090/7810
Tyres/chassis	3.1	Tyre type			pneumatic	pneumatic	pneumatic
	3.2	Tyre size, front			9.00-20-14PR	9.00-20-14PR	9.00-20-14PR
	3.3	Tyre size, rear			9.00-20-14PR	9.00-20-14PR	9.00-20-14PR
	3.5	Wheels, number front/rear (x=drive wheels)		mm	4x/ 2	4x/ 2	4x/ 2
	3.6	Tread width, front	b10	mm	1600	1600	1600
	3.7	Tread width, rear	b11	mm	1700	1700	1700
	4.1	Tilt of mast/fork carriage forward/backward	$\alpha/\beta$	°	6/12	6/12	6/12
Dimensions	4.2	Retracted mast height	h1	mm	2850	2850	2850
	4.3	Free lift	h2	mm	200	200	200
	4.4	Lift height	h3	mm	3000	3000	3000
	4.5	Height, mast extended	h4	mm	4310	4310	4310
	4.7	Height of overhead guard (cabin)	h6	mm	2680	2680	2680
	4.8	Seat height/standing height	h7	mm	1550	1550	1550
	4.12	Tow coupling height	h10	mm	630	630	630
	4.19	Overall length	l1	mm	5475	5785	5480
	4.20	Length to face of forks	l2	mm	3955	3965	3960
	4.21	Overall width	b1/b2	mm	2200	2200	2200
	4.22	Fork dimensions	s/e/l	mm	75×160×1520	85×160×1820	80×160×1520
	4.23	A,B Fork carriage class/type A, B			/	/	/
	4.24	Fork carriage width	b3	mm	2130	2130	2130
	4.31	Ground clearance, laden, below mast	m1	mm	250	250	250
	4.32	Ground clearance, center of wheelbase	m2	mm	345	345	345
	4.34.1	Aisle width for pallets 1000×1200 crossways	Ast	mm	6033	6343	6038
	4.34.2	Aisle width for pallets 800×1200 lengthways	Ast	mm	6033	6343	6038
4.35	Turning radius	Wa	mm	3605	3605	3605	
Performance data	5.1	Travel speed, laden/unladen		km/ h	29/30	29/30	29/30
	5.2	Lifting speed, laden/unladen		m/s	0.39/0.47	0.39/0.47	0.39/0.47
	5.3	Lowering speed, laden/unladen		m/s	0.46/0.4	0.46/0.4	0.46/0.4
	5.5	Drawbar pull, laden/unladen		N	/	/	/
	5.6	Max. drawbar pull, laden/unladen		N	/	/	/
	5.8	Max. gradeability, laden/unladen		%	22/30	22/30	22/30
Electric-engine	5.10	Service brake			Hydraulic	Hydraulic	Hydraulic
	5.11	Parking brake			Mechanical	Mechanical	Mechanical
	6.1	Drive motor rating S2 60 min		kW	60	60	60
	6.2	Lift motor rating at S3 15%		kW	2x27.8	2x27.8	2x27.8
	6.4	Battery voltage/nominal capacity		V/Ah	309V/304AH	309V/304AH	309V/304AH
Addition data	6.5	Battery weight		kg	860	860	860
	8.1	Type of drive control			PMSM	PMSM	PMSM
	10.5	Steering design			Hydraulic	Hydraulic	Hydraulic
10.7	Sound pressure level at the driver's ear		dB(A)	/	/	/	

If there are improvements of technical parameters or configurations, no further notice will be given.  
The diagram shown may contain non-standard configurations.





## Mast Option

Mast types	Lift height ( h3 )	Height, Mast			Height, Free lift(h2)	
		Height, mast lowered(h1)	Height, mast extended(h4)		No backrest	With backrest
			No backrest	With backrest		
	mm	mm	mm	mm	mm	mm
2-Standard Mast	3000	2850	4310	—	200	—
	3500	3100	4810	—	200	—
	4000	3350	5310	—	200	—
	4500	3650	5810	—	200	—
	5000	3900	6310	—	200	—
	5500	4200	6810	—	200	—
	6000	4450	7310	—	200	—
	6500	4750	7810	—	200	—
2-Free Mast	3000	2850	4310	—	1305	—
	3500	3100	4810	—	1555	—
	4000	3350	5310	—	1805	—
3-Free Mast	4500	2950	5950	—	1500	—
	5000	3117	6450	—	1667	—
	5500	3283	6950	—	1833	—
	6000	3450	7450	—	2000	—
	6500	3617	7950	—	2167	—
	7000	3783	8450	—	2333	—